

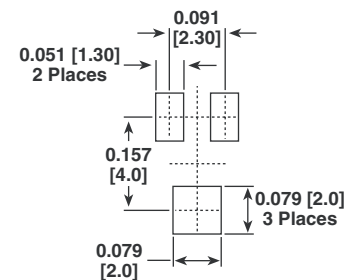
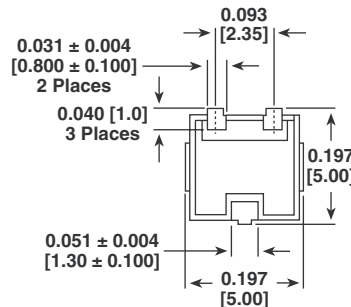
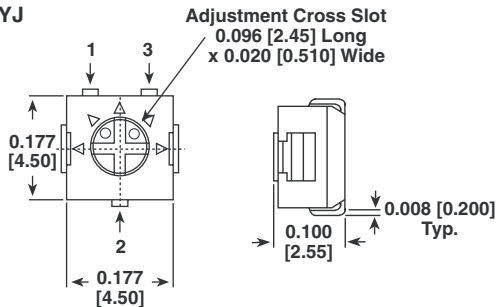
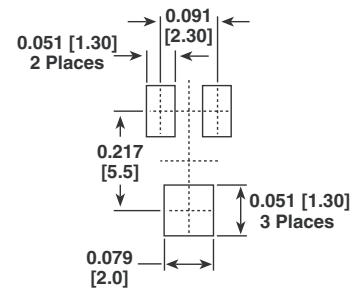
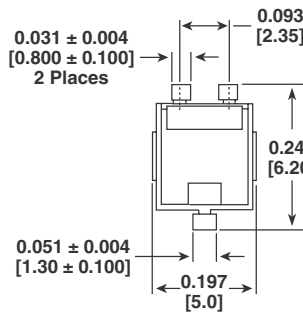
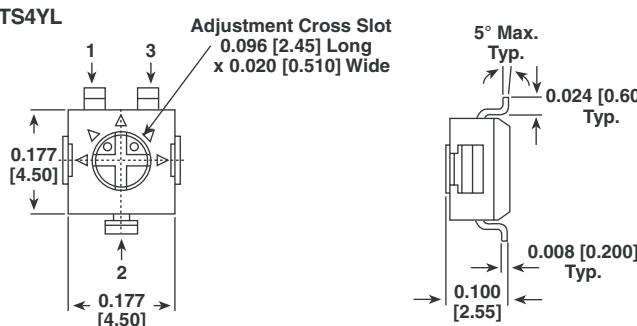
Cermet Trimmers

Surface Mount, 4.0 mm Square, Single Turn, Industrial Grade


FEATURES

- Fully sealed to withstand board washing
- Compatible with surface mount manufacturing processes
- Compatible with popular vacuum pick-and-place equipment
- J-hook and gull-wing configurations


DIMENSIONS in millimeters

TS4YJ

Recommended PCB Footprint
TS4YL

Recommended PCB Footprint

NOTE: All tolerances are ± 0.010 " [0.25 mm] unless otherwise specified.

MECHANICAL SPECIFICATIONS

Mechanical Angle: 240° nominal
Operating Torque: 1.8 Ncm typical
End Stop Torque: 3.0 Ncm typical
Weight: Approximately 0.01 ounce
Wiper: Positioned at 50 % nominal
Flammability: UL 94V-0

Vibration: 20 G (total resistance shift ± 1 %, voltage ratio shift ± 1 %)
Shock: 100 G (total resistance shift ± 1 %, voltage ratio shift ± 1 %)
Load Life: At + 70 °C rated power 1000 hours (total resistance shift ± 3 %)
Rotational Life: 100 cycles (total resistance shift ± 3 %)
Thermal Shock: 5 cycles (total resistance shift ± 2 %, voltage ratio shift ± 1 %)

ENVIRONMENTAL SPECIFICATIONS

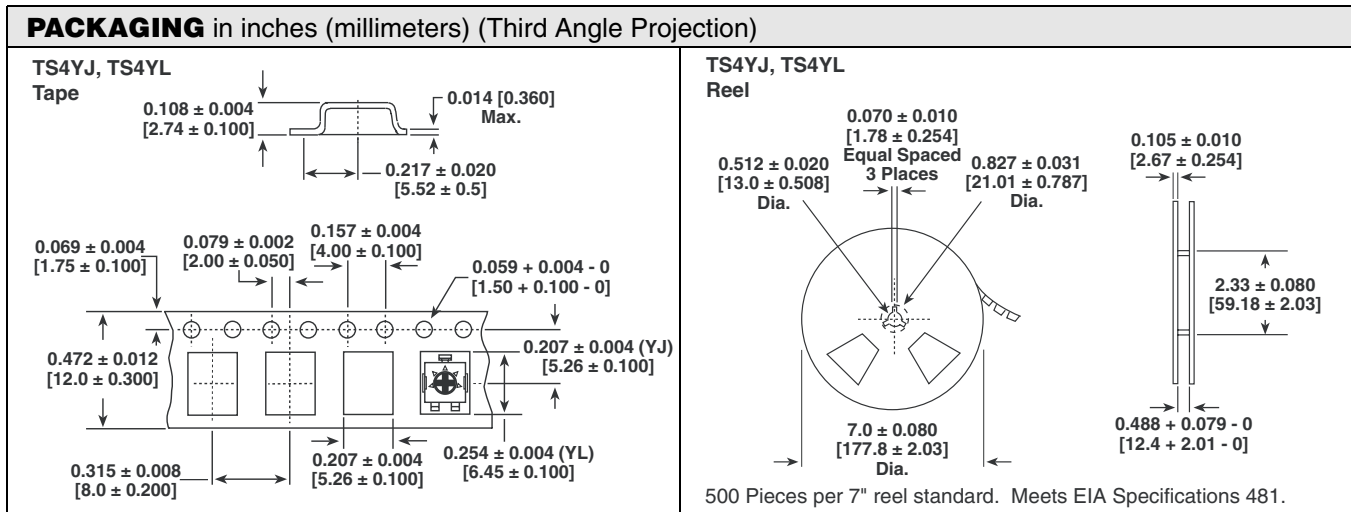
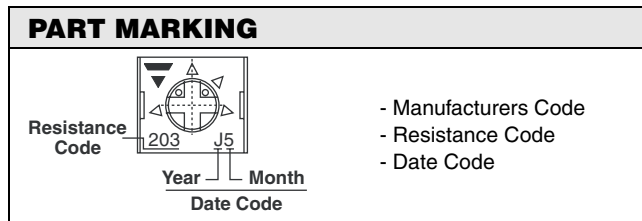
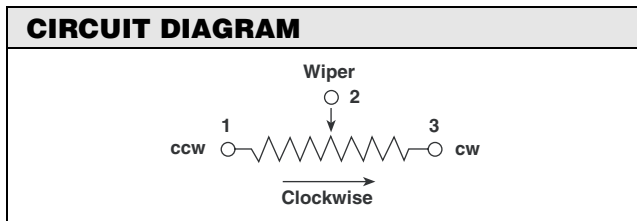
Temperature Range: - 55 °C to + 125 °C
Humidity: 90 - 98 % relative humidity 10 cycles, 240 hours, (total resistance shift ± 2 %, insulation resistance 10 M Ω)

ELECTRICAL SPECIFICATIONS	
Resistive Range	10 Ω to 2 M Ω (See Standard Resistance Table)
Tolerance	± 20 % standard
End Resistance	1 % or 2 Ω maximum, whichever is greater
Temperature Coefficient	± 100 ppm/°C
Power Rating	(300 volts maximum) 0.25 watt at + 70 °C, 0 watt at + 125 °C
Contact Resistance Variation (CRV)	1 % or 3 Ω
Resolution	Infinite
Insulation Resistance (500 VDC)	100 M Ω minimum
Dielectric Strength	Sea level 500 VAC (1 minute)
Adjustment Angle	210° nominal

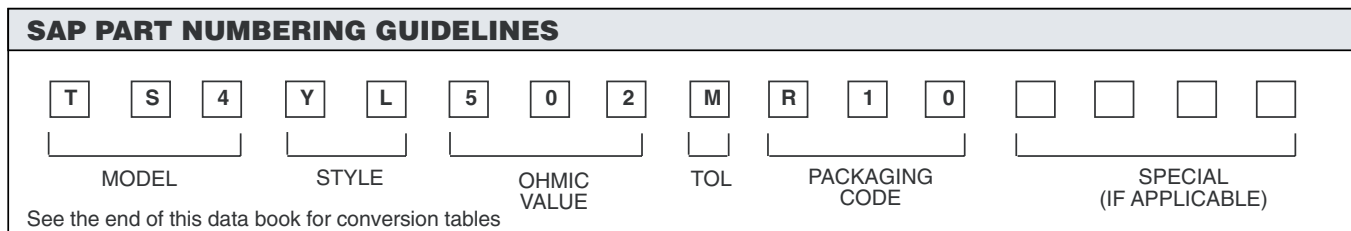
TWO DIGIT DATE CODE					
YEAR					
1980	M	1990	A	2000	M
1981	N	1991	B	2001	N
1982	P	1992	C	2002	P
1983	R	1993	D	2003	R
1984	S	1994	E	2004	S
1985	T	1995	F	2005	T
1986	U	1996	H	2006	U
1987	V	1997	J	2007	V
1988	W	1998	K	2008	W
1989	X	1999	L	2009	X
MONTH					
January	1	July	7		
February	2	August	8		
March	3	September	9		
April	4	October	0		
May	5	November	N		
June	6	December	D		

STANDARD RESISTANCE TABLE	
RESISTANCE (OHMS)	RESISTANCE CODE
10	100
20	200
50	500
100	101
200	201
500	501
1000	102
2000	202
5000	502
10 000	103
20 000	203
50 000	503
100 000	104
200 000	204
500 000	504
1 000 000	105
2 000 000	205

NOTE: Special resistance available



NOTE: Specifications are subject to change without notice





Disclaimer

All product specifications and data are subject to change without notice.

Vishay Intertechnology, Inc., its affiliates, agents, and employees, and all persons acting on its or their behalf (collectively, "Vishay"), disclaim any and all liability for any errors, inaccuracies or incompleteness contained herein or in any other disclosure relating to any product.

Vishay disclaims any and all liability arising out of the use or application of any product described herein or of any information provided herein to the maximum extent permitted by law. The product specifications do not expand or otherwise modify Vishay's terms and conditions of purchase, including but not limited to the warranty expressed therein, which apply to these products.

No license, express or implied, by estoppel or otherwise, to any intellectual property rights is granted by this document or by any conduct of Vishay.

The products shown herein are not designed for use in medical, life-saving, or life-sustaining applications unless otherwise expressly indicated. Customers using or selling Vishay products not expressly indicated for use in such applications do so entirely at their own risk and agree to fully indemnify Vishay for any damages arising or resulting from such use or sale. Please contact authorized Vishay personnel to obtain written terms and conditions regarding products designed for such applications.

Product names and markings noted herein may be trademarks of their respective owners.