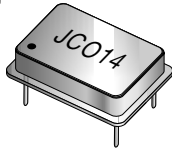
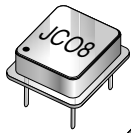




actual size



Oscillator · JCO · 3.3/5.0 V

Through Hole Crystal Oscillator

Features

- RoHS compliant
- HCMOS / TTL compatible type

- two package options

General Data

type	JCO8/JCO14 3.3 V	JCO8/JCO14 5.0 V
frequency range	1.0 ~ 125.0 MHz	1.0 ~ 125.0 MHz
frequency stability over all*	± 10 ppm ~ ± 100 ppm	± 10 ppm ~ ± 100 ppm
current consumption	see table 1	see table 1
supply voltage	3.3 V ± 10 %	5.0 V ± 10 %
output	rise & fall time	see table 3
	load	30 pF: 1.0 ~ 49.9 MHz
		15 pF: 1.0 ~ 125.0 MHz
	current max.	4 mA
	low level	0.5 V max.
	high level	V _{DC} - 0.5 V min.
temperature	operating	-10 °C ~ +70 °C
	extended	-40 °C ~ +85 °C
	storage	-55 °C ~ +125 °C
phase jitter 12 kHz ~ 20.0 MHz	< 1.0 ps RMS	< 1.0 ps RMS
symmetry at 1/2 V _{DC}	< 45 / 55 % typical	< 45 / 55 % typical

Table 1: current consumption max.

3.3 V version:	
1.0 ~ 29.99 MHz	10 mA
30.0 ~ 59.99 MHz	15 mA
60.0 ~ 89.99 MHz	20 mA
90.0 ~ 125.0 MHz	30 mA

5.0 V version:	
1.0 ~ 16.99 MHz	10 mA
17.0 ~ 59.99 MHz	25 mA
60.0 ~ 89.99 MHz	40 mA
90.0 ~ 125.0 MHz	60 mA

note:
- specific data on request

Preferred Type

JCO8-3-B
JCO14-3-B

* inclusive stability at 25°C, operating temperature range, input voltage change, aging, shock and vibration.

Table 2: frequency stability code

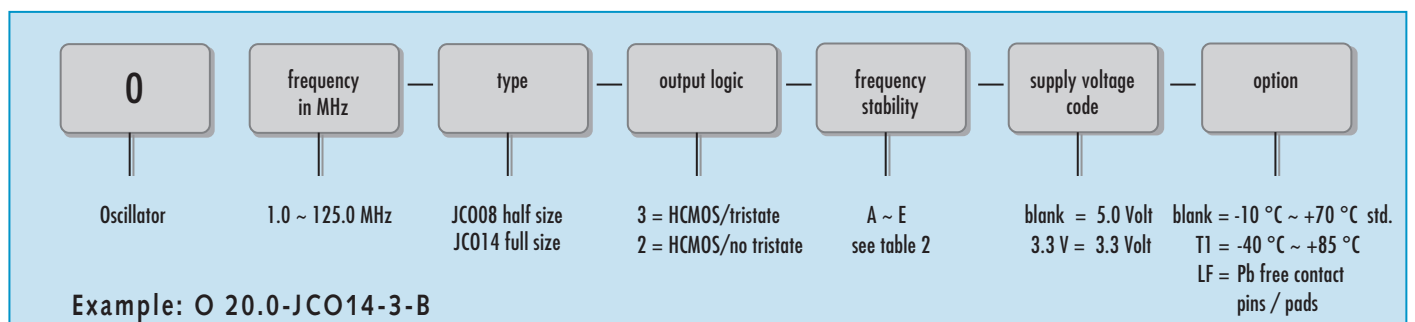
type	A	B	G	C	D	E
stability	± 100 ppm	± 50 ppm	± 30 ppm	± 25 ppm	± 20 ppm	± 15 ppm
-10 °C ~ +70 °C	○	●	○	○	○	○
-40 °C ~ +85 °C	●	○				

● standard ○ on request

Table 3: rise & fall time max.

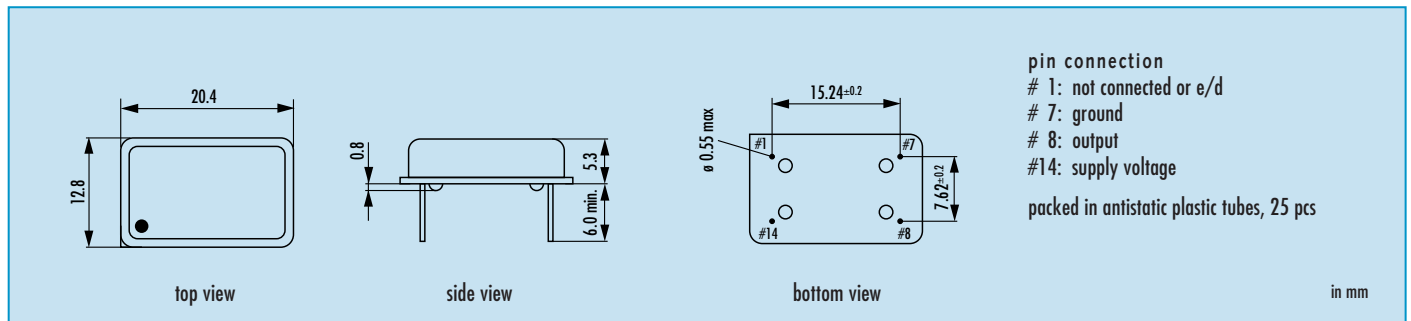
6.0 ns:	1.0 ~ 49.99 MHz	note:
5.0 ns:	50.0 ~ 79.99 MHz	- specific data on request
4.0 ns:	80.0 ~ 99.99 MHz	
3.0 ns:	100.0 ~ 200.0 MHz	

Order Information

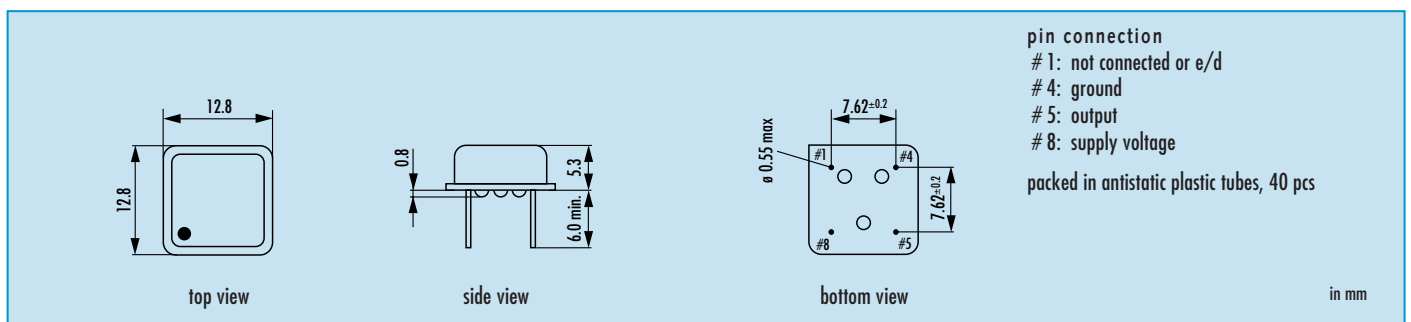


Oscillator · JCO · 3.3 V · 5.0 V

Dimensions JCO14



Dimensions JCO8



Enable / Disable Function

pin #1	pin #3
open or high	oscillation
gnd or low	high impedance

start-up time: < 6 ms typical

Marking

type
 frequency
 company code / date code

Reflow Soldering Profile

