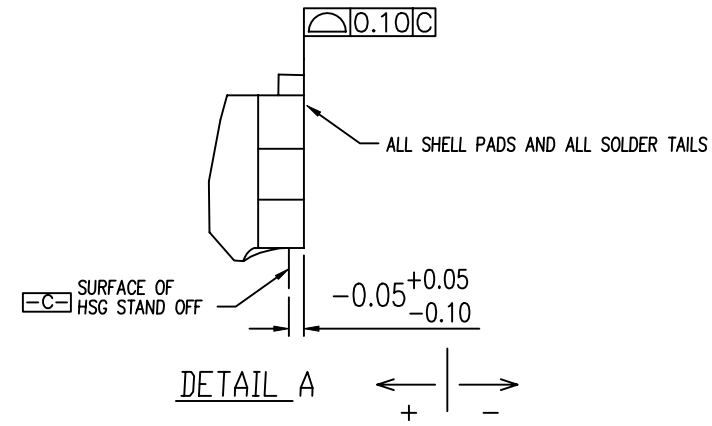
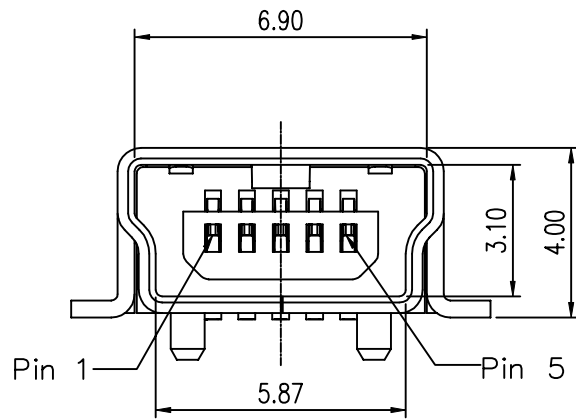
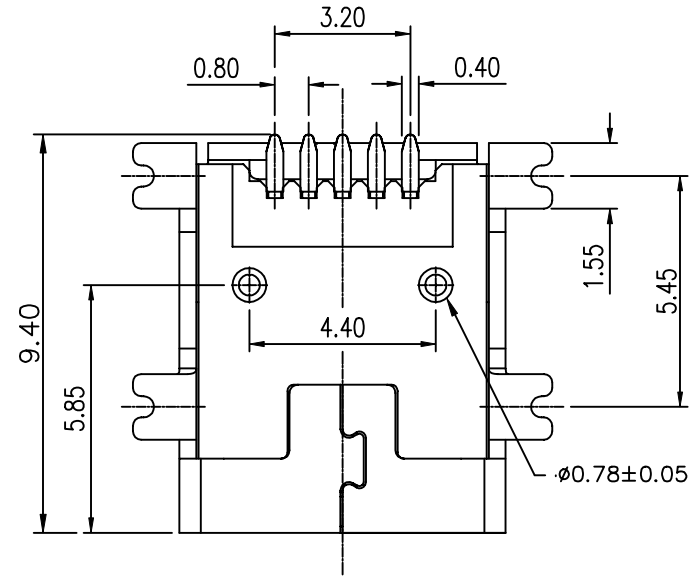
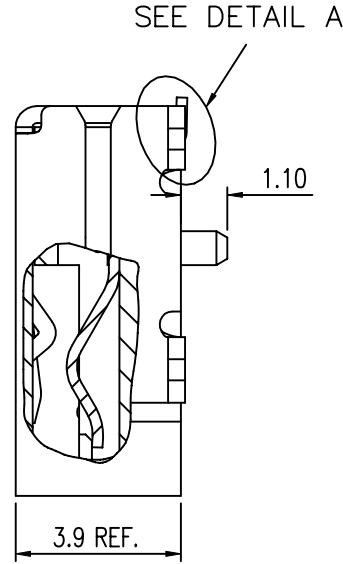
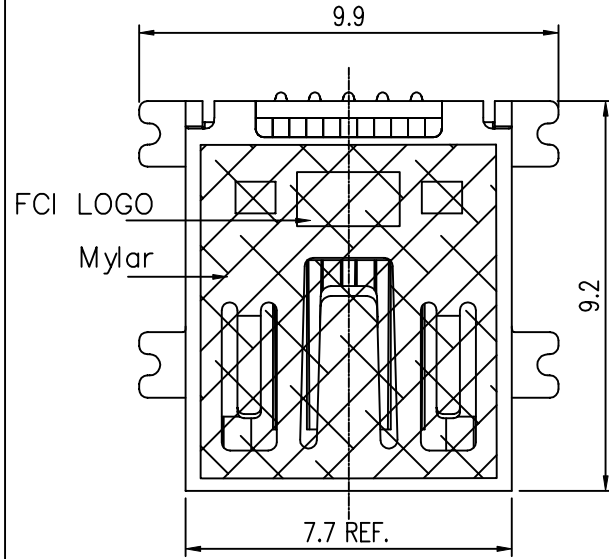


Tous droits strictement reserves. Reproduction ou communication a des tiers interdite sous quelque forme que ce soit sans autorisation écrite du propriétaire. Propriete de c FCI. Droits de reproduction FCI.

All rights strictly reserved. Reproduction or issue to third parties in any form whatever is not permitted without written authority from the proprietor. Property of FCI. Copyright FCI.

PROD NO
10033526-XXX1XX



mat'l. code				tolerances unless otherwise specified		CUSTOMER COPY		 www.fciconnect.com			
ltr	ecn no	dr	date	linear	.X ±.30	projection		title			
H	T06-0074	A.C.	4/10/06		.XX ±.20			MINI USB B TYPE RECEPTACLE CONNECTOR, R/A SMT TYPE		code	
J	T06-0137	A.C.	7/18/06		.XXX ±.10			-		sheet	
K	T06-0201	A.C.	12/14/06	angles	0° ±3°	 MM	 N/A	product family		code	
L	T07-1002	WL	01/05/07	dr	JASMINE CHANG			9/9/03'	USB		-
				enfr	ALLEN CHANG			9/9/03'	size		dwg no
				chr	ROGER LIN	9/9/03'	A4		10033526	1 of 3	
				appd	JAMES HSU	9/9/03'					
sheet index	revision sheet	L	L	L							
		1	2	3							

PROD NO
SEE NOTES

NOTES:

1.MATERIAL:

HOUSING: THERMOPLASTIC. UL 94V-0 RATED, COLOR: BLACK.
CONTACT: COPPER ALLOY.
SHELL: COPPER ALLOY
MYLAR: KAPTON TAPE.

2.FINISH:

CONTACT: UNDERPLATED 50u"MIN. NICKEL OVERALL
100u" MIN. MATTE TIN PLATED ON SOLDERING AREA,
SELECTIVE GOLD PLATED ON CONTACT AREA.
SHIELD: CODE N: PLATED NICKEL WITH 40u" MIN. THICK,
OVER 100u" THICKNESS Cu.

3.10033526-N3212XLF MEETS THE EUROPEAN UNION DIRECTIVE AS DESCRIBE
IN GS-22-008 AND ITS HSG WILL WITHSTAND EXPOSE TO 260 DEGREE C
PEAK TEMPERATURE FOR 10 SECONDS IN A IR REFLOW APPLICATION.

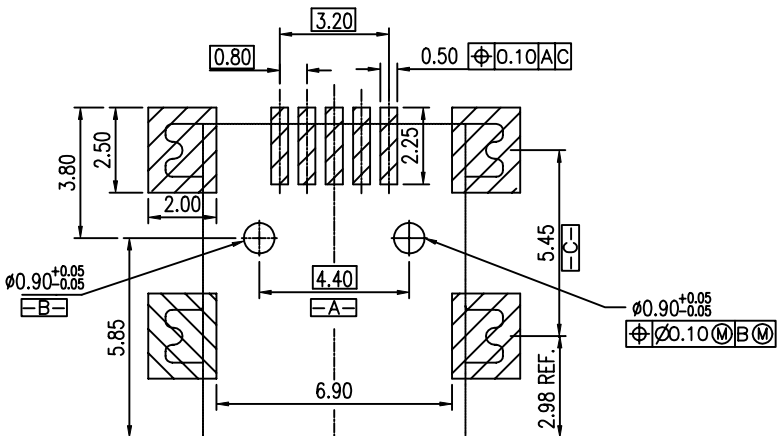
4. PRODUCT SPEC: GS-12-174 ; PACKAGE SPEC: GS-14-873.

5. PRODUCT ORDERING DATA :

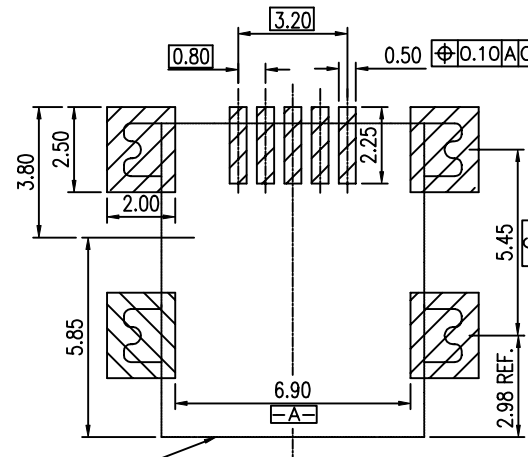
FOR LEAD-FREE

10033526 - N X X X M LF
LF: Lead Free

- M: WITH MYLAR
BLANK: WITHOUT MYLAR
- PACKAGING METHOD:
2: TAPE & REEL PACKAGING
- POST OPTION:
1 : WITH PLASTIC POST.
2 : WITHOUT PLASTIC POST.
- HSG MATERIAL:
2 : HIGH TEMP THERMOPLASTIC
- PLATING IN CONTACT AREA:
3 : 30u" Au.
- N: NICKEL.



CONNECTOR PROFILE
RECOMMENDED PCB LAYOUT FOR 10033526-XXX1XX
GENERAL TOLERANCE +/-0.05mm



CONNECTOR PROFILE
RECOMMENDED PCB LAYOUT FOR 10033526-XXX2X
GENERAL TOLERANCE +/-0.05mm

mat'l. code				tolerances unless otherwise specified		CUSTOMER COPY		 www.fciconnect.com	
ltr	ecn no	dr	date	linear	.X ±.30		projection	title	
L					.XX ±.20			 MM	MINI USB B TYPE RECEPTACLE CONNECTOR, R/A SMT TYPE
				angles	.XXX ±.10		 N/A		product family USB
				dr	JASMINE CHANG	9/9/03'		size	code
				engr	ALLEN CHANG	9/9/03'	dwg no		-
				chr	ROGER LIN	9/9/03'		A4	sheet
				appd	JAMES HSU	9/9/03'	10033526		2 of
sheet index	revision sheet								

Tous droits strictement reserves. Reproduction ou communication a des tiers interdite sous quelque forme que ce soit sans autorisation ecrite du proprietaire. Propriete de c FCI. Droits de reproduction FCI.

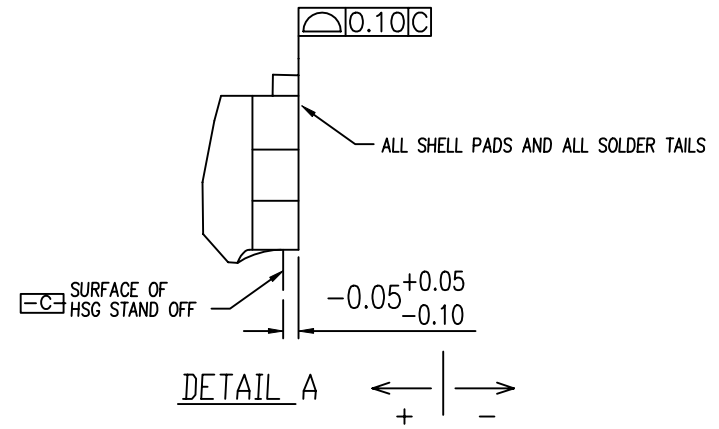
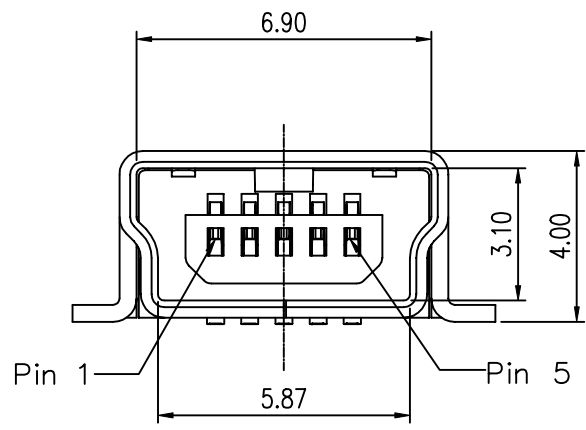
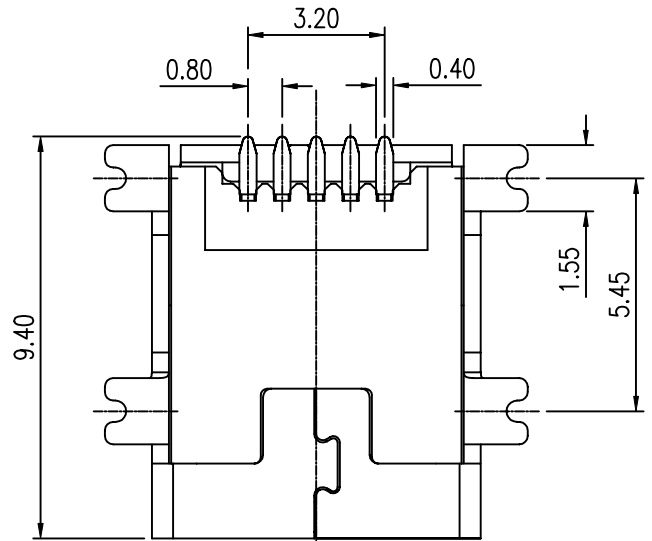
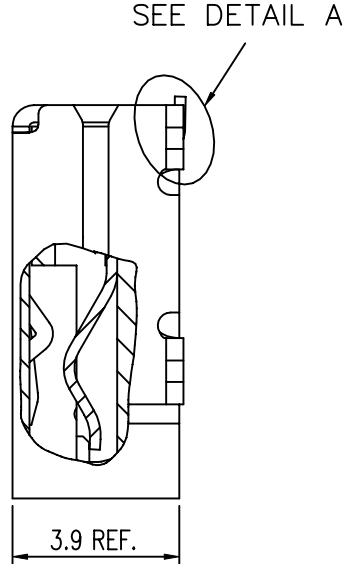
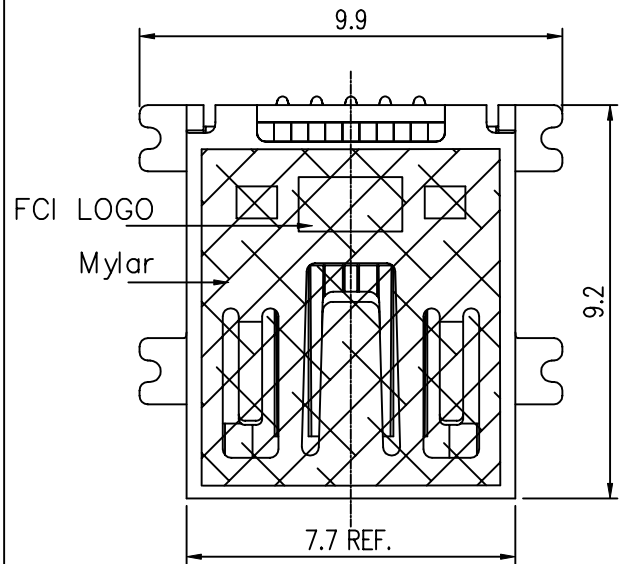
All rights strictly reserved. Reproduction or issue to third parties in any form whatever is not permitted without written authority from the proprietor. Property of FCI. Copyright FCI.



All rights strictly reserved. Reproduction or issue to third parties in any form whatever is not permitted without written authority from the proprietor. Property of FCI. Copyright FCI.

Tous droits strictement reserves. Reproduction ou communication a des tiers interdite sous quelque forme que ce soit sans autorisation ecrite du proprietaire. Propriete de c FCI. Droits de reproduction FCI.

PROD NO
 10033526-XXX2XX



mat'l. code		tolerances unless otherwise specified		CUSTOMER COPY		 www.fciconnect.com	
ltr	ecn no	dr	date	linear	.X ±.30	projection	 title MINI USB B TYPE RECEPTACLE CONNECTOR, R/A SMT TYPE
L				angles	.XX ±.20	 MM	
					.XXX ±.10		scale
				dr	0° ±3°	N/A	USB
				enr	JASMINE CHANG 9/9/03'		code
				chr	ALLEN CHANG 9/9/03'		—
				appd	ROGER LIN 9/9/03'		size
					JAMES HSU 9/9/03'		dwg no
sheet index	revision sheet						A4
							10033526
							sheet 3 of